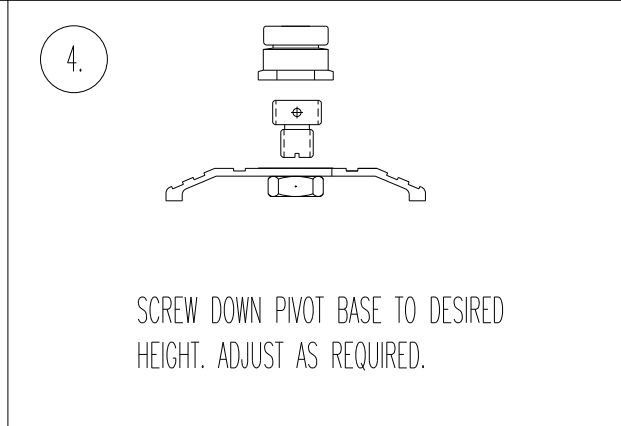
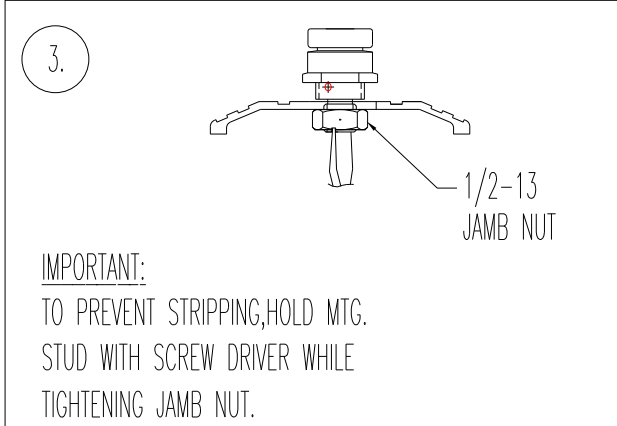
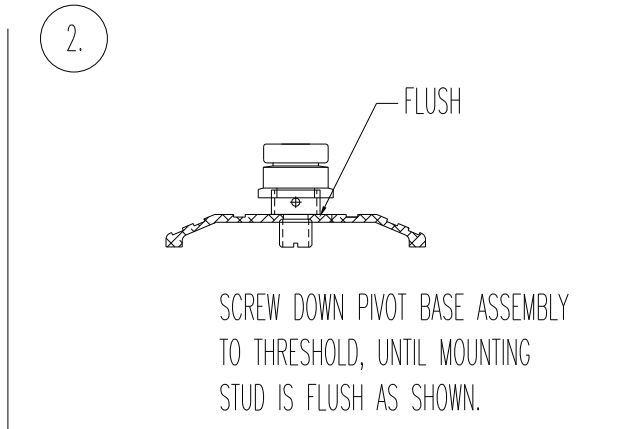
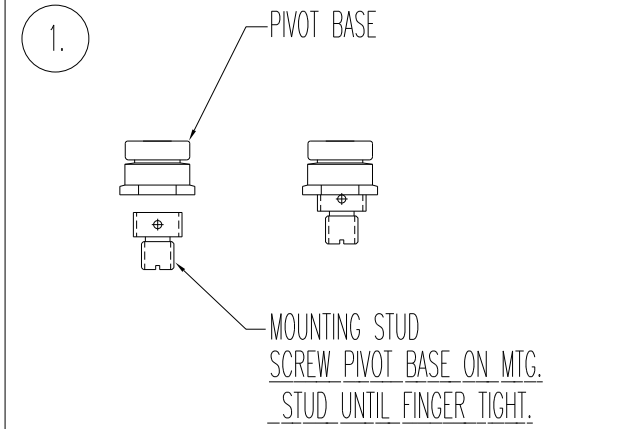


=DO NOT SCALE DRAWING=

PIVOT MOUNTING INSTRUCTIONS
THRESHOLD PORTION OF PIVOT



USAGE: 21-101-AE,EF,BV,UP TYP. KITS

DIMENSIONAL TOLERANCES UNLESS OTHERWISE SPECIFIED		APPROVALS	DATE
DECIMAL DIMENSIONS .XX ± .010		APPROVED	
DECIMAL DIMENSIONS .XXX ± .005		CHECKED	
ANGULAR ± °	FRACTIONAL ± 1/64	DRAWN	R.M. 4.24.04
MATERIAL		SCALE NONE	

FILE NO.	MATERIAL
NEXT ASSY.	FINISH
QTY. USED	HEAT TREAT

INST. INSTR. C-HUNG
20-647,20-607 PORTIONS



3447 UNION PACIFIC AVE.
LOS ANGELES, CALIF. 90023

SHEET 1 OF 1 SHEETS	
DWG. NO.	REV.
10-272	A